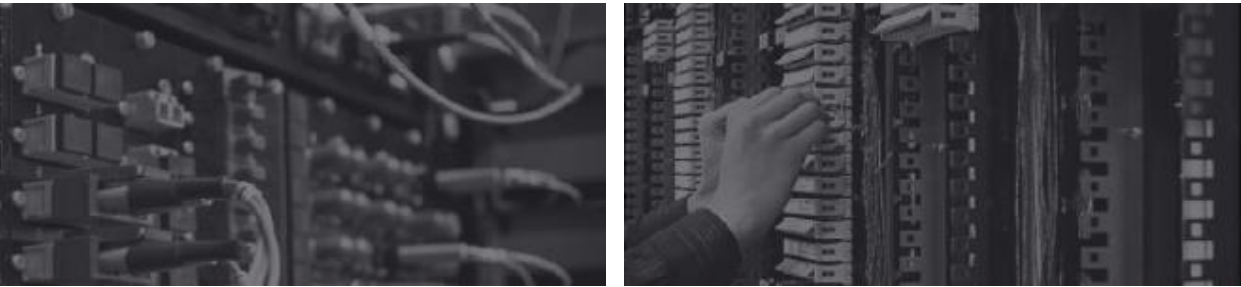


IT Cabinet Proposal

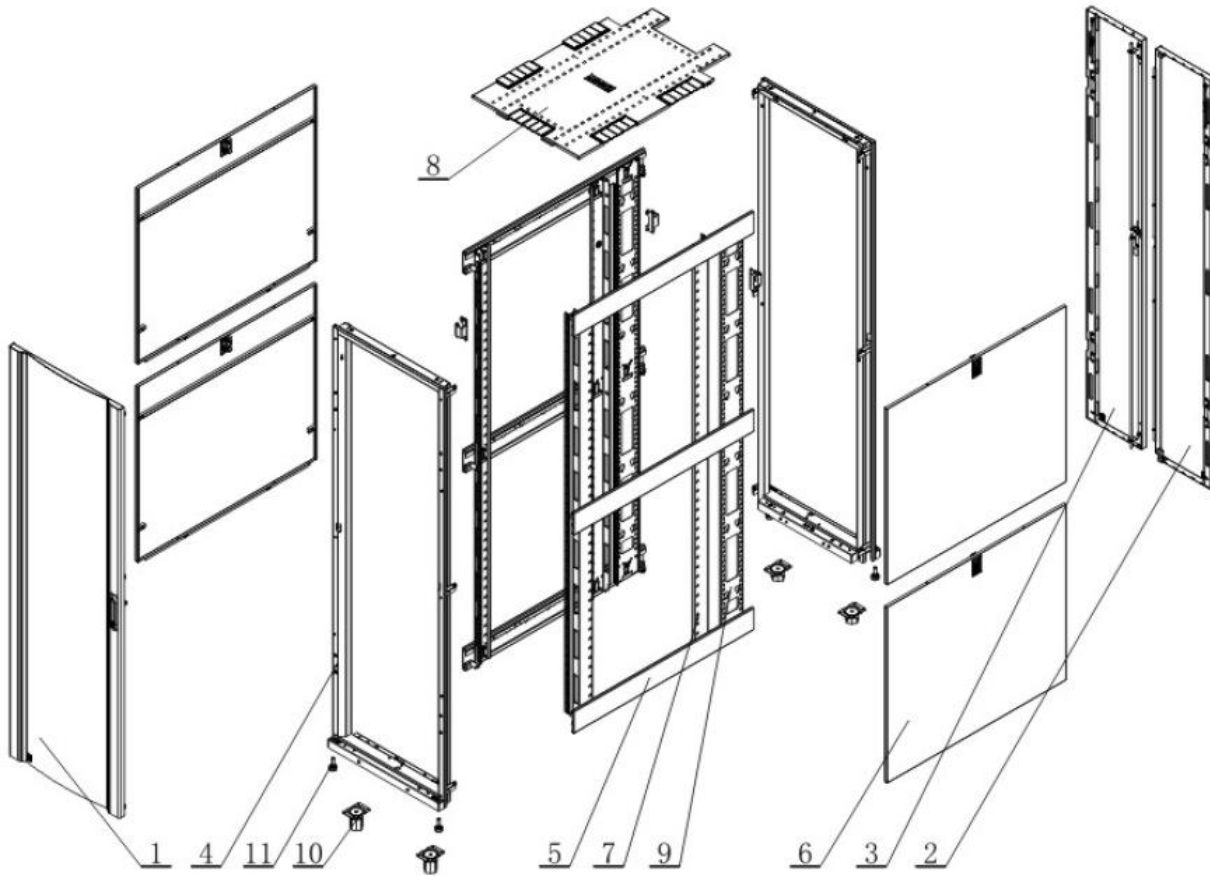


Enterprise Grade IT Cabinets

Server and Networking Cabinet

- Options for length, width, height variations to EIA-310 standard
- Full width front door and split rear doors with 130° opening for easy installation and access
- Fully welded front and rear frame with 6 side braces for solid structure
- High load rating to 1500kg static, 1200kg dynamic
- Full grounding between frame, panels, and doors with frame grounding mounts
- Fully mobile design with heavy duty load-bearing casters and leveling feet
- Lockable doors and side panels with IP20 Ingress Protection
- Quick adjustment features for site specific modification
- Split side panels for easy access
- Integrated cable management and rack PDU toolless mounting channels can accommodate up to 2 standard rack PDUs per side

Cabinet Construction



Item	Name	Qty	Steel Thickness
1	Front Door	1	1.5mm
2	Left Rear Door	1	1.5mm
3	Right Rear Door	1	1.5mm
4	Frame	2	1.5mm
5	Side Brace	6	1.5mm
6	Side Panel	4	1.2mm
7	Mounting Rail	4	2.0mm
8	Top Panel	1	1.2mm
9	Rear Cable Channel	2	2.0mm
10	Casters	4	n/a
11	Leveling Feet	4	n/a

Cold-rolled steel construction with black powder coat finish

Standard Cabinet Features



Door perforation with 70% open pattern; option for 85% pattern



Removable door hinge system for easy door removal



Heavy load-bearing side brace and vertical mounting channel design



Continuous earth ground system between doors, frame, and side panel.



Removable roof panel with cable access slots for network and power cabling



Split side panels with locks for easy removal for access and configuration

Standard Cabinet Features



Top panel with brush grommet for airflow management



Easy to remove side panel with split design for easy access



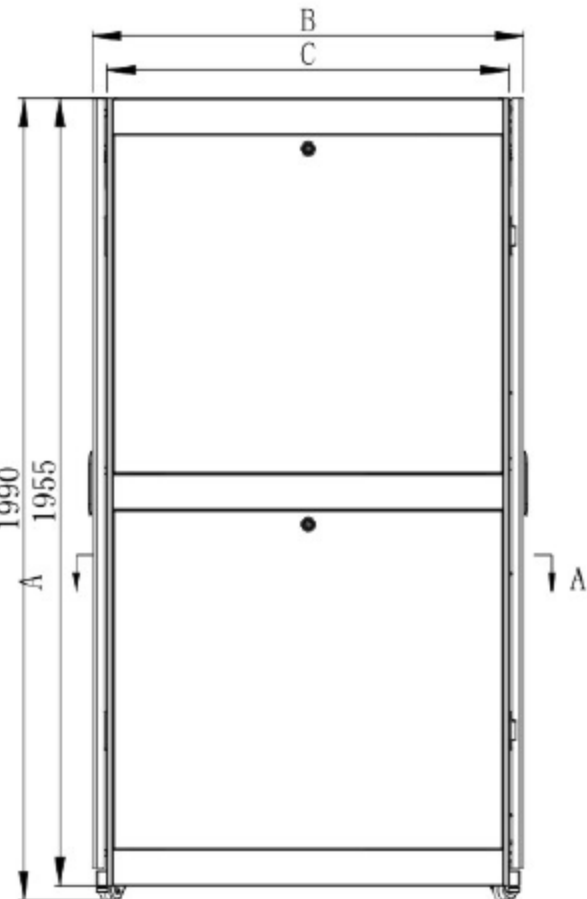
Heavy duty load bearing casters



Leveling feet for site leveling

Standard 42U Cabinet Configurations

Side View

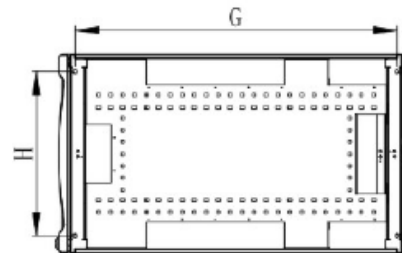


Front View

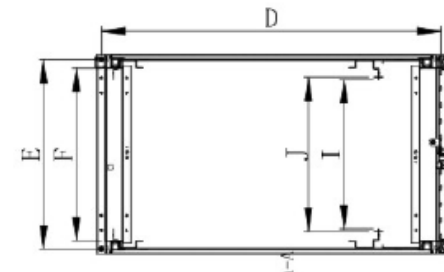


Style	Dimension, mm									
	A	B	C	D	E	F	G	H	I	J
600x1070x42U	600	1070	1000	1025	570	520	970	495	450	465
600x1200x42U	600	1200	1130	1155	570	520	1100	495	450	465
750x1070x42U	750	1070	1000	1025	720	670	970	495	450	465
800x1200x42U	800	1200	1130	1155	770	720	1100	495	450	465

Top View



Section A-A View

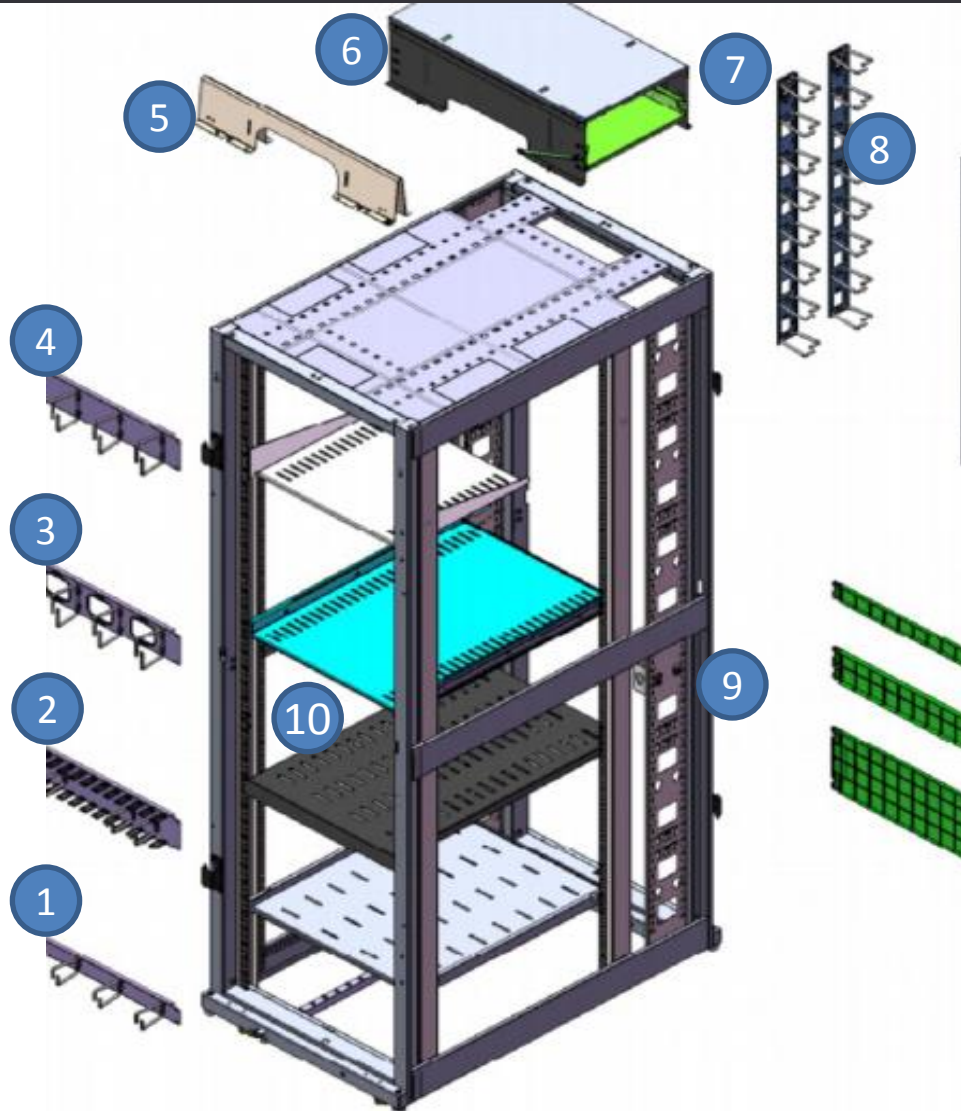


Knock Down Configuration



- Knock-down construction for reduced sea-freight costs
- Easy assembly process with no specialized tool requirements
- Approximately 100 pieces fit in 40' container

Cabinet Accessories



Item	Name
1	Horizontal Cable Organizer, 1U
2	Horizontal Metal Cable Organizer
3	Horizontal Cable Organizer with passthrough, 2U
4	Horizontal Cable Organizer, 2U
5	Data Cable Partition
6	Cable Trough with Cover Option
7	Vertical Cable Organizer with 8 rings
8	Vertical Cable Organizer
9	Blanking Panels
10	Rack Shelves (variety of options)